

认真细致做好每一项服务  
精雕细磨每一件产品

SERVE WITH OUR HEART AND MAKE  
THE BEST PRODUCT

郑州市钻石精密制造有限公司  
Zhengzhou Diamond Precision Manufacturing Co.,Ltd

电话: 0371-60300960  
国际电话: +86 371 60300918/60300919  
传真: 0371-60300961/60300962/60300963  
网址: <http://www.zhengzuanchina.com>  
邮箱: [zhengzuan@zhengzuanchina.com](mailto:zhengzuan@zhengzuanchina.com)  
国内市场部: [sales@zhengzuanchina.com](mailto:sales@zhengzuanchina.com)  
国际市场部: [intl@zhengzuanchina.com](mailto:intl@zhengzuanchina.com)  
邮编: 450016  
地址: 郑州经济技术开发区第七大街198号

Tel: 0371-60300960  
International Tel: +86 371 60300918/60300919  
Fax: 0371-60300961/60300962/60300963  
Web Site: <http://www.zhengzuanchina.com>  
E-mail: [zhengzuan@zhengzuanchina.com](mailto:zhengzuan@zhengzuanchina.com)  
Domestic Marketing E-mail: [sales@zhengzuanchina.com](mailto:sales@zhengzuanchina.com)  
International Marketing E-mail: [intl@zhengzuanchina.com](mailto:intl@zhengzuanchina.com)  
P. O. 450016  
Add: NO.198, the 7th Ave of Zhengzhou Economic and  
Technological Development Zone, Henan, P. R. C

HSK HFS  
PCD *cutting tool series*

HSK、HFS  
系列PCD刀具



# 精度

有一种精度，源于进取，  
分秒接受时间的反复锤炼

PRECISION BASED ON IMPROVEMENT, CHALLENGE  
ACCEPTED THROUGH PRACTICES

## HSK、HFS系列PCD刀具

HSK & HFS PCD CUTTING TOOL SERIES



## HSK & HFS PCD CUTTING TOOL SERIES



随着机床装备业和机械制造业的不断发展，HSK、HFS 连接方式 PCD 的刀具应用更加广泛。  
例如：该系列刀具用于汽车发动机缸盖气门导管、座圈底孔及导管孔、座圈锥面、变速箱壳体等的加工。  
在加工过程中，HSK、HFS 连接方式系列 PCD 刀具以锥度和端面与机床主轴拉紧连接，  
适用高速切削，有更可靠的稳定性、刚性、实现高精高效的加工。

HSK & HFS PCD cutting tool is widely used currently with the development of machine tools and machining industry.  
For instance, this series is used in processing cylinder head valve guide pipe, bottom hole of seat valve and pipe,  
back taper of seat valve, shell of gear box and so on. HSK & HFS PCD cutting tool connects tightly with main shaft of  
machine tools, which is suitable for high speed cutting. It can offer better stability and rigidity to reduce cost and improve  
production efficiency.

# 速度

有一种速度，勇于超越，  
不断打破既有的技术参数

HAVE COURAGE TO GO BEYOND AND KEEP IMPROVING  
THE PRESENT TECHNICAL PARAMETERS

**PCD成型复合刀具**  
PCD FORM COMPOUND TOOL



PCD FORM  
COMPOUND TOOL

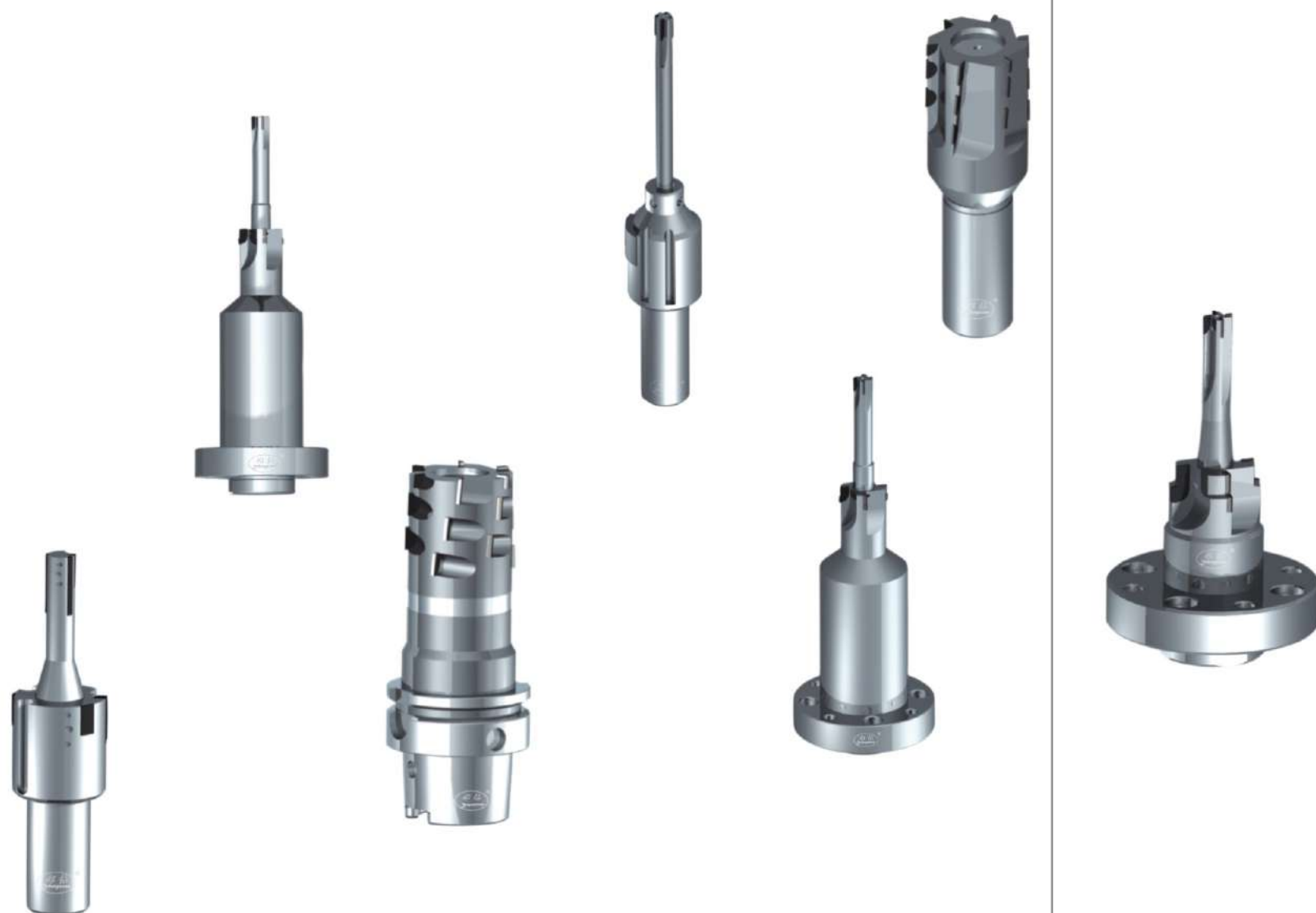


# 效率

有一种效率，追求极致，  
时刻保持高度的自我见证

PURSUE ULTIMATE LIMIT, ALWAYS MAINTAIN  
HIGH QUALITY TO PROVE OURSELVES

**PCD成型复合刀具**  
PCD FORM COMPOUND TOOL



**PCD FOR M**  
COMPOUND TOOL

汽车零部件大多使用铝合金精密压铸，其结构复杂，阶梯成型孔及面广泛分布。轮廓精度、表面粗糙度要求严格。PCD 成型复合刀具具有优良的切削性能，可一次完成多台阶及端面的加工；且耐用度高，尺寸精度稳定，广泛用于机械加工精密制造领域。

Automotive components are generally produced by aluminum alloy die-casting technology. The structure is complex. Requirements of outline precision and surface roughness are very strict. PCD form compound tool can make complete processing multi-step and end face once which offer better durability, dimension accuracy stability in precision machining industry.