

认真细致做好每一项服务
精雕细磨每一件产品

SERVE WITH OUR HEART AND MAKE
THE BEST PRODUCT

郑州市钻石精密制造有限公司
Zhengzhou Diamond Precision Manufacturing Co.,Ltd

电话: 0371-60300960
国际电话: +86 371 60300918/60300919
传真: 0371-60300961/60300962/60300963
网址: <http://www.zhengzuanchina.com>
邮箱: zhengzuan@zhengzuanchina.com
国内市场部: sales@zhengzuanchina.com
国际市场部: intl@zhengzuanchina.com
邮编: 450016
地址: 郑州经济技术开发区第七大街198号

Tel: 0371-60300960
International Tel: +86 371 60300918/60300919
Fax: 0371-60300961/60300962/60300963
Web Site: <http://www.zhengzuanchina.com>
E-mail: zhengzuan@zhengzuanchina.com
Domestic Marketing E-mail: sales@zhengzuanchina.com
International Marketing E-mail: intl@zhengzuanchina.com
P. O. 450016
Add: NO.198, the 7th Ave of Zhengzhou Economic and
Technological Development Zone, Henan, P. R. C

Non-standard
insert series

非标准刀片系列

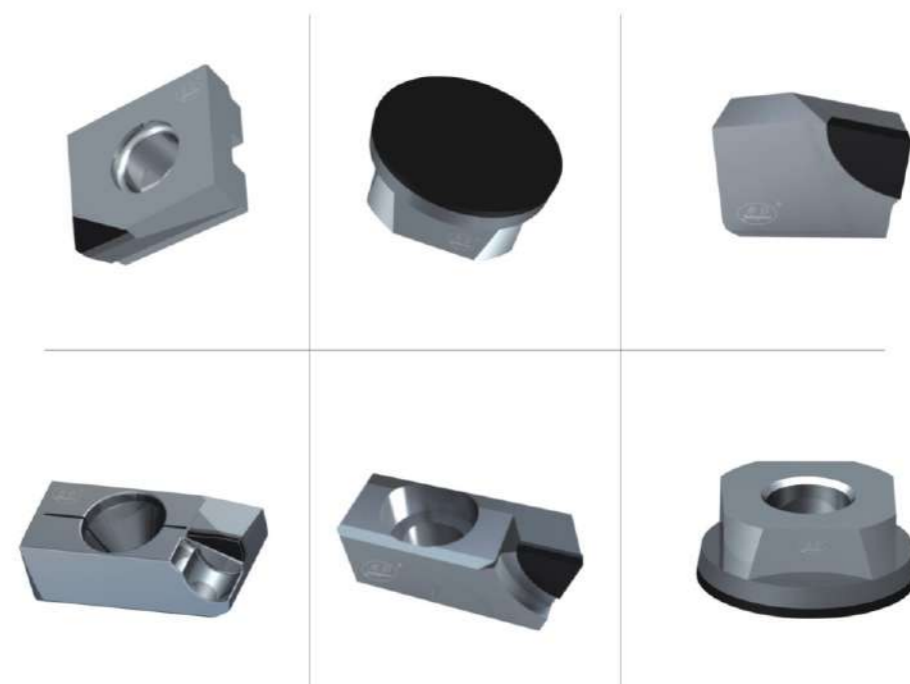
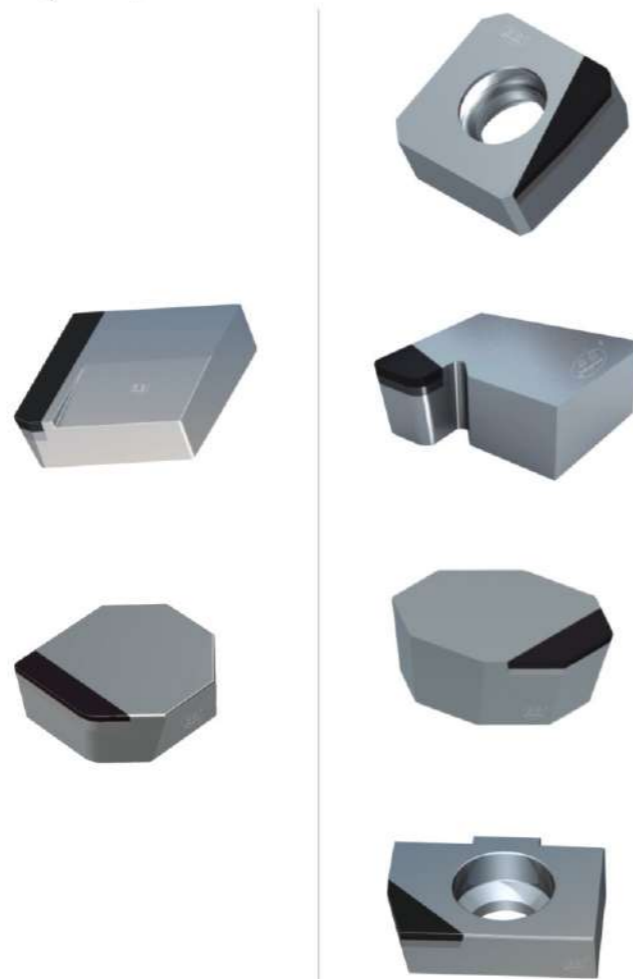


铣刀片系列 / MILLING INSERT SERIES

PCBN铣刀片 / PCBN MILLING INSERT

主要用于铸铁类材质的加工，
铣削速度可达800-1500m/min，
是传统刀具的5-10倍，加工粗糙度可达Ra0.2，
具有加工效率高、寿命长等优点，
是当今刀具推广的必然趋势。

PCBN milling insert is mainly used for processing cast iron material;
Cutting speed can reach 800-1500m/min, which is 5-10 times quicker
than that of traditional cutting tools; Roughness can reach Ra0.2; Milling
insert is now leading the inevitable trend of cutting tool development with its
excellent advantages like high efficiency and long tool life, etc.



PCD铣削刀具 / PCD MILLING TOOL

用于有色金属的精加工，具有高耐磨、抗冲击、不粘屑等特点，
适用于批量生产线的加工。在发动机行业中针对压铸铝材质加工中得到广泛应用。
由于PCD铣削刀具对铝合金材质具有优良的加工特性，
今后也必将在加工行业中得到更全面地发展和推广。

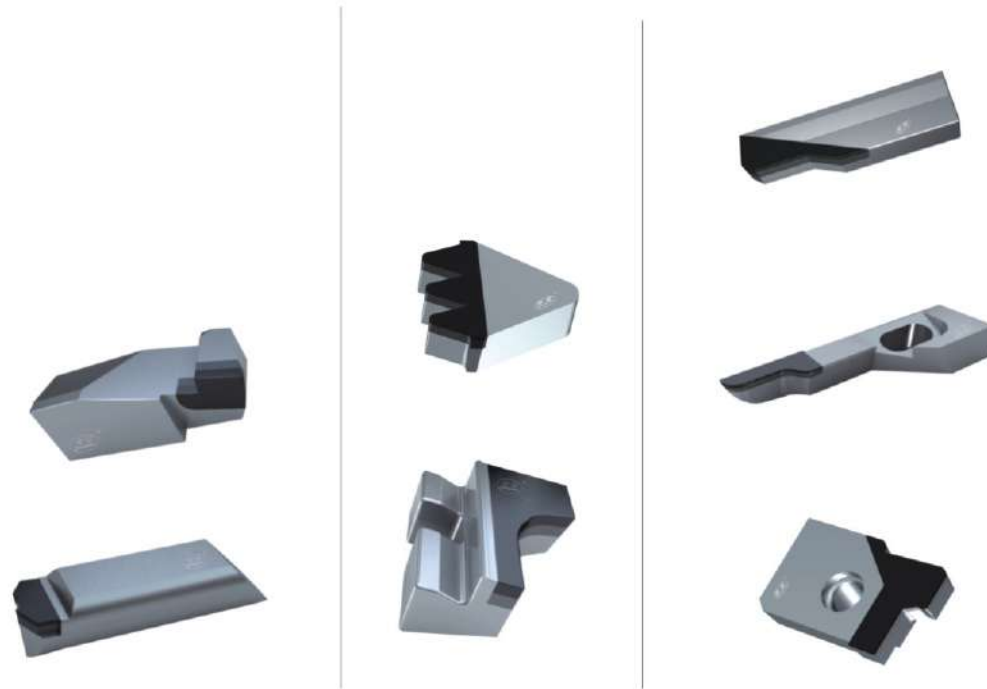
PCD milling tool is mainly used for high precision processing of non-ferrous metal; It features high wear
resistance, good shock resistance and no sticky chips, suitable for mass-produce production line;
Aluminum alloy and die-casting aluminum material are generally used in engine manufacturing
industry. PCD milling tool is perfectly suitable for processing aluminum alloy and now is widely used in the
engine industry. It is certain that the PCD milling tool will have a great development in the future.

成型系列 / FORM TOOL SERIES

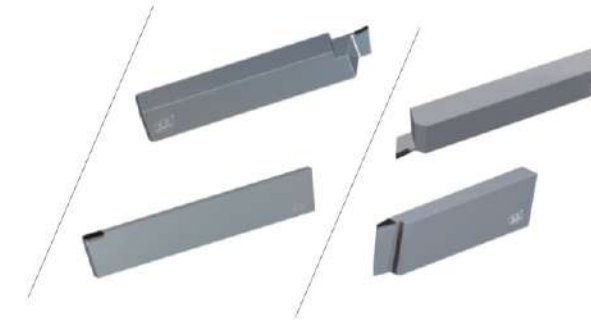
成型系列刀具 / FORM CUTTING TOOL SERIES

近年来，随着我国制造业的发展，各制造厂家在不断提高质量和性能的同时，更加关注零部件加工的效率 and 成本。成型系列刀片具有使用性能稳定、生产效率高等特点，备受广大客户的青睐，为了满足不同客户的实际需求，我们一直致力于新产品的研发和升级，这些产品已广泛应用于航空航天、汽车制造、医疗器械等领域的加工，并取得显著效果。

Over past years, while manufacturers keep promoting quality and function constantly, they also pay more attention to the processing efficiency and cost. Our form cutting tool series attract plenty of customers by features of stability and high processing efficiency. In order to satisfy our customers' practical needs, we always focus on the research and upgrade of new production. These production are now widely used in the fields of aircraft, automobile manufacturing, medical appliances with marvelous performance.



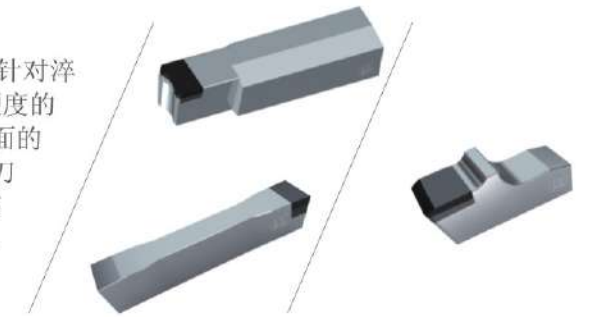
槽刀系列 / GROOVING TOOL SERIES



PCD/PCBN 槽刀系列可用于加工活塞环槽，由于活塞在高温高压高耐磨的条件下工作，对其轮廓精度和表面粗糙度要求极高。刀具在加工过程中具有精度高，耐磨性好特点。

PCD/PCBN grooving tool series can be used for processing ring grooves of piston. Because of high temperature, pressure and wear resistance working condition, piston processing requires high outline precision and roughness of surface. PCD/PCBN grooving tool series can satisfy these strict demands with perfect processing performance.

在齿轮行业和空调压缩机行业中，PCBN 系列槽刀主要针对淬硬钢和铸铁两类材质的精加工，如在齿轮 HRC58-62 硬度的加工过程中，可实现对齿轮的槽部、外径、内孔及端面的精加工，达到以车代磨的效果。而空调压缩机对加工刀具的精度要求严格，采用高耐磨性 PCBN 刀具，可提高表面的加工精度，节约了生产成本，提高了工作效率，目前淬硬钢和铸铁加工技术都已在此行业内广泛使用。



PCBN grooving tool is used for high finish machining of hardened steel and cast iron in gear and compressor manufacturing industry. Take the machining of gear HRC58-62 for example, PCBN grooving tool can have a good finish machining of slot, internal diameter, external diameter and end face; It can also improve the surface precision and effectiveness, which reduce the cost and improve the efficiency. The process technology of machining hardened steel and cast iron has been widely used by far.



镗刀系列 / BORING TOOL SERIES



PCD/PCBN镗刀系列加工刀具 PCD/PCBN BORING TOOL SERIES

广泛应用于各机械行业的加工。其中汽车发动机阀座锥面、气门导管孔对其同圆度、同轴度的要求非常严格，而 PCD/PCBN 镗刀系列刀具高精度的加工不仅保证了气门的密封性，更保障了发动机的性能，同时提高了生产效率。

PCD/PCBN boring tool series is widely used in machining industry. Back taper of valve seat and valve guide pipe hole have the strict requirement of machining the roundness and axiality. PCD/PCBN boring tool not only can guarantee the valve closure but also the engine performance, meantime improve production efficiency.

轮毂刀系列 / WHEEL HUB CUTTER SERIES

轮毂刀具采用 PCD 材质，硬度可达 HV8000，具有良好的导热性能，耐冲击性极佳，可实现重切削及断续切削。而独特的刃部处理能在加工过程中实现挤压-车削工艺，可弥补铸造微孔的缺陷，在高速切削中，不仅提高了切削的精度，更是优化了表面的光洁度。

Wheel hub cutter is made of PCD which can reach hardness of HV8000, it features good thermal conductivity, high compact resistance, and can make heavy and interrupted cutting. In high speed cutting processing, wheel hub cutter can offer better precision and surface smoothness.

